

# Universal Signal Converter RS232 / CMOS to RS422 / RS485



## Universal RS232 / CMOS to RS422 / RS485 Converter

- DIN rail or panel mounted compact Converter
- Port powered or external powered design
- Isolation of power and communication ports
- Automatic detection of communication baud rate
- Automatic control of transceiver direction
- Easy to use plug and play device  
(no configuration software required)
- CE / CSA with UL certification

# Specifications :

Power Supply	: + 24 VDC $\pm$ 10 %, 2.0 watts max (for externally powered model)	Immunity to ESD	: Level 3 as per IEC1000-4-2
<b>Communication</b>	: <b>Two ports as follows:</b>	Immunity to Transients	: Level 3 as per IEC1000-4-4
COM1	: RS232 / CMOS	Immunity to Radiated RF	: Level 3 as per IEC1000-4-3
COM2	: RS422 / RS485	Immunity to Conducted RF	: Level 3 as per IEC1000-4-6
Data Rates	: Up-to 115.2 kbps.	Emissions	: EN55011 CISPR A
Distance	: Externally powered units transmit data up-to 4000 ft (1200 m). Less with port powered model.	Certifications	: CE, CSA and UL
Temperature	: Operating: 0° to 60° C	Dimensions	: 51mm (W) X 101mm (H) X 40mm (D)
Storage	: - 40° to 90° C	Mounting	: DIN rail mounting or Back Panel
Humidity	: 10% to 90% (Non condensing)	Weight	: 125 gms approximately

# Models:

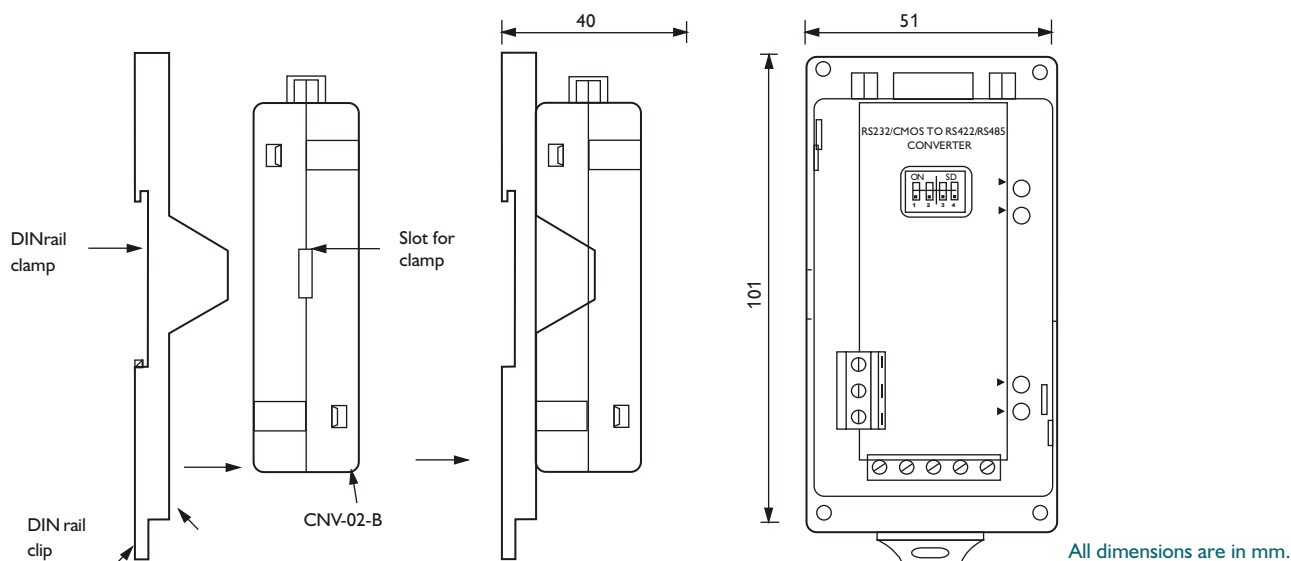
Model	Power Supply	Isolation		Part Number
		Between COM Ports	Between COM Ports & Power	
CNV-01	+ 24 VDC or port powered	No	Yes	CNV-01
CNV-02-B	+ 24 VDC external only	Yes	Yes	CNV-02-B

CNV-01: CNV-01 is a port-powered (line-powered: RXD+RTS+CTS) or externally powered. In case of point to point communication and if the cable length is less than or equal to 2 mtrs on RS232 side, then external power supply is not needed. This unit takes less than 4mA to operate plus load current. Applications which require a large load current, external + 24V DC power supply on the terminal strip is required. CMOS signals are not supported for CNV-01. Communication ports are not isolated from each other.

CNV-02-B: + 24 V DC power is isolated from communication ports in CNV-02-B model. Both the communication ports are also isolated from each other. The unit has DB9 female connector on RS232 / CMOS side and PBT on RS422 / RS485 side. RS485 port has 4-wire with signal ground system. Both the models also support 2-wire RS485 communication with signal ground system. This models is replacement for the CNV-02 (old version model) with following advantages.

1. LEDs for Power and Communication.
2. Shorting of "TX+ & RX+" and "TX- & RX-" not required for 2 wire RS485 configuration.
3. 1.5 KV Surge suppression for RS422 / RS485.
4. User friendly switch settings.

# Dimensions :



## Renu Electronics Pvt. Ltd.

Survey No. 2/6, Baner Road, Pune - 411045, India.

Tel: +91 20 2729 2840, Fax: +91 20 2729 2839

Email: info@renuelectronics.com

Website: www.renuelectronics.com

