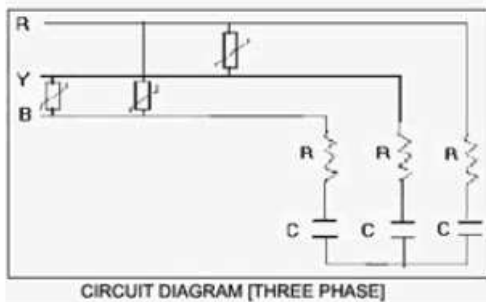


TYPE - RC FILTERS (Three Phase)

Voltage spike suppressor for circuit with Relays / Contactors and high speed switching devices.

SPECIFICATION	3Ø
Voltage RMS	510
Voltage dc	670V
Current MAX (8 / 20 μS)	6.5 KA
Watts MAX	190 J



Advanced Version available on customer request

