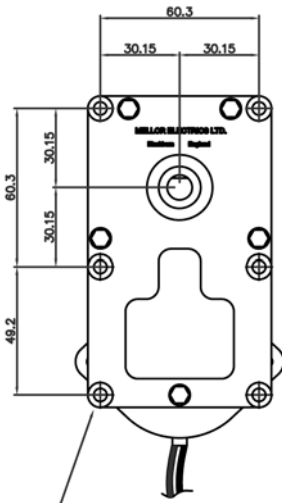


FBSY T3 Series Synchronous AC Unit

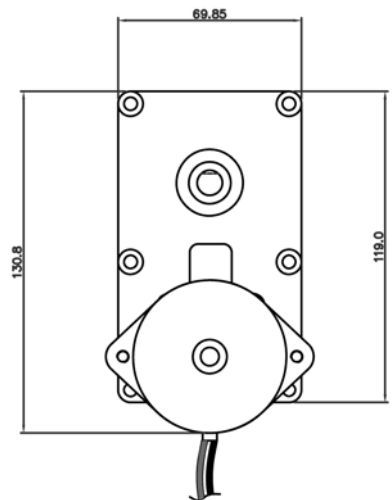
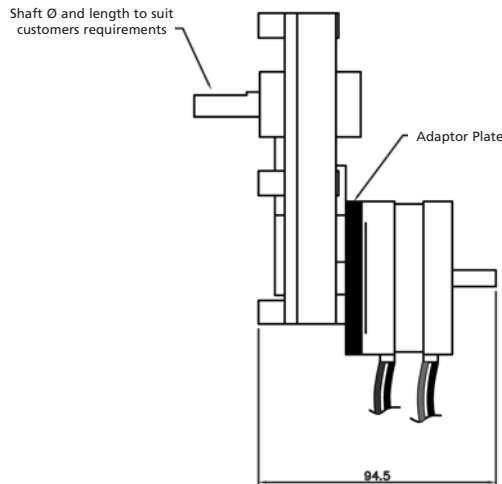
- **230v 50Hz AC**
- **Output Torque: Up to 15Nm depending on speed**
- **Speed Range: 0.5 - 5.5rpm**

Reversible AC motor to suit many applications. Virtually silent running motor to suit noise sensitive environments.

High quality engineering ensures quiet running and a long running life.



6 mounting holes – thread to suit customers requirements
Applicable to all FB models



T3 1.5rpm 230v 50Hz (synchronous)	15 N/M
T3 3rpm 230v 50Hz (synchronous)	8.4 N/M
T3 3.5rpm 230v 50Hz (synchronous)	6.9 N/M
T3 4rpm 230v 50Hz (synchronous)	6.3 N/M

Mellor
ELECTRICS LIMITED

Sett End Road Shadsworth Industrial Park
Blackburn Lancashire BB1 2NW United Kingdom
T: +44 (0)1254 53854 F: +44 (0)1254 678625
sales@mellorelectrics.co.uk