

THREE PHASE, THREE STAGE, FOOTPRINT DESIGN TYPE: MF 423-3-3D-FP

CSA/UL/NEMKO APPROVAL SHORTLY

- * 3 phase filter for drives/invertors
- * Delta Configuration
- * Compact / Light weight
- * Foot print design
- * High performance
- * 1-100A Current Rating



Part No.	Current Rating	Termination
MF 423-3-3D-FP	7A	Shock Proof Connector
MF 423-3-3D-FP	16 A	-do-
MF 423-3-3D-FP	30 A	-do-
MF 423-3-3D-FP	42A	-do-
MF 423-3-3D-FP	55A	-do-
MF 423-3-3D-FP	75A	-do-
MF 423-3-3D-FP	100A	-do-

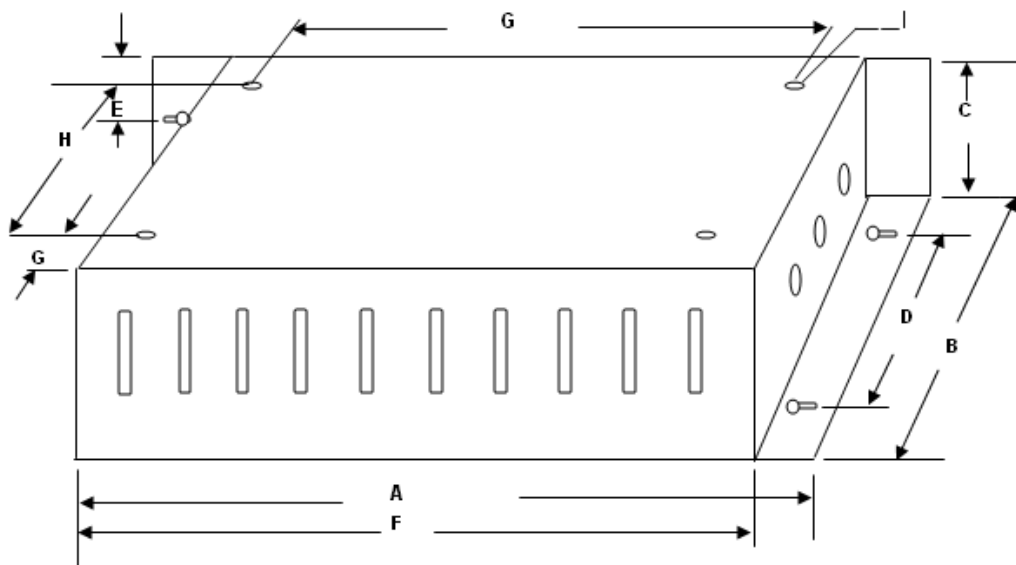
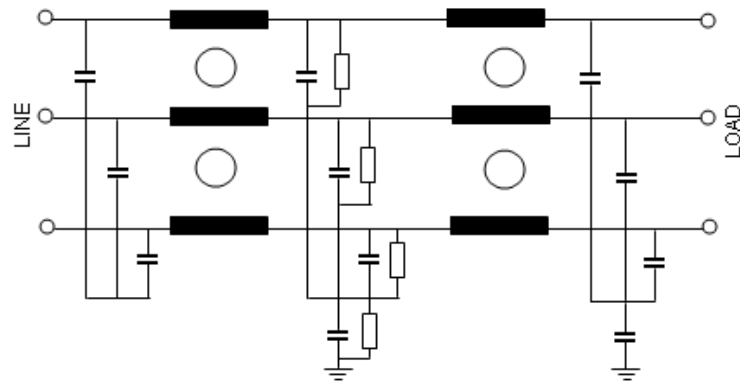
SPECIFICATIONS

Voltage Rating	440 VAC 50/60 Hz
Current Rating	7A, 16A, 30A, 42A, 55A, 75A, 100A
Current Overload	6x Rated current for 8 Seconds

High Potential Testing (1 minute)

Line to Ground	2759 VDC
Line to Line	2089VDC
Temperature Range	-25° to 85°C

CIRCUIT DIAGRAM



MF 423-3-3D-FP (All dimensions are in mm)

DIMENSIONS	7AMPS	16AMPS	30AMPS	42MPS	55AMPS	75AMPS	100AMPS
A	220	220	220	220	250	250	370
B	210	210	210	210	240	240	260
C	60	60	60	60	100	100	120
D	130	130	130	130	160	160	180
E	30	30	30	30	50	50	60
F	170	170	170	170	200	200	320
G	140	140	140	140	170	170	300
H	180	180	180	180	210	210	210
I	M4	M4	M4	M4	M5	M5	M5