

## THREE PHASE, THREE STAGE BOOKSHELF DESIGN TYPE: MF 423-3-3D-BS

*CSA/UL/NEMKO APPROVAL SHORTLY*

- \* 3 phase filter for drives/invertors
- \* Delta Configuration
- \* Compact / Light weight / Cost effective
- \* Bookshelf design
- \* High performance
- \* 1-150A Current Rating



Part No	Current rating	Leakage current @ 250 VAC	Terminations
MF 423-3-3D-BS	7A	< 3mA	Shock proof connector
MF 423-3-3D-BS	16A	< 5mA	-do-
MF 423-3-3D-BS	30A	< 5mA	-do-
MF 423-3-3D-BS	42A	< 5mA	-do-
MF 423-3-3D-BS	55A	< 5mA	-do-
MF 423-3-3D-BS	75A	< 5mA	-do-
MF 423-3-3D-BS	100A	< 5mA	-do-
MF 423-3-3D-BS	120A	< 5mA	-do-
MF 423-3-3D-BS	150A	< 5mA	-do-

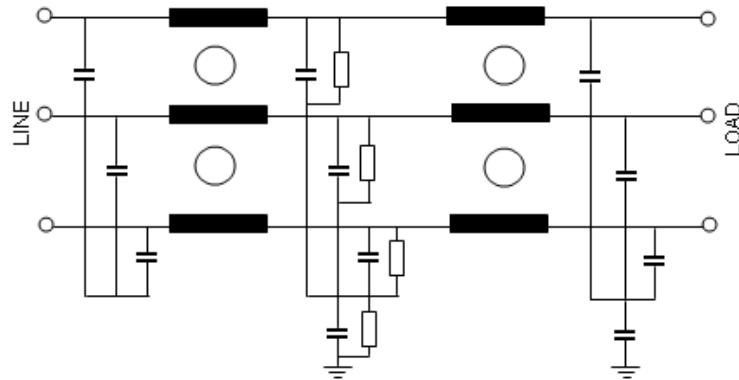
### SPECIFICATIONS

Voltage Rating            440 VAC 50/60 Hz  
 Current Rating            7A, 16A, 30A, 42A, 55A, 75A, 100A, 120A, 150A  
 Current Overload        6x Rated current for 8 Seconds

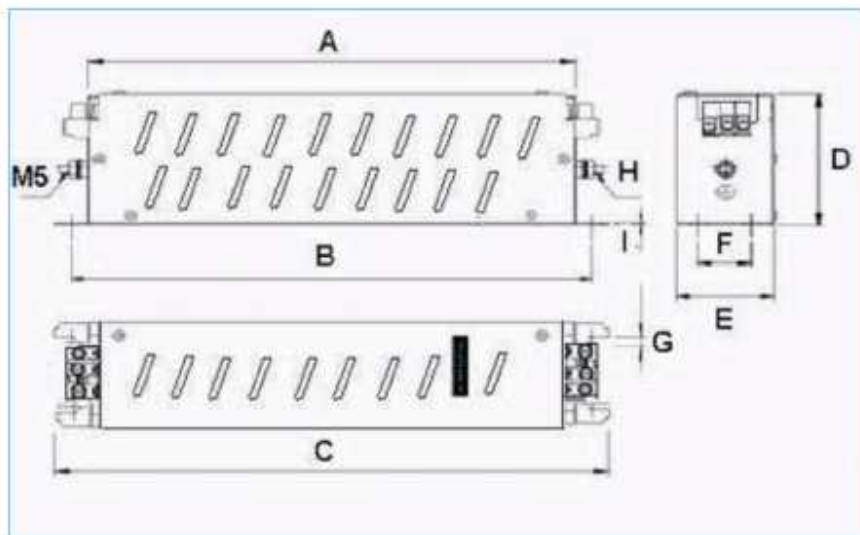
### High Potential Testing (1 minute)

Line to Ground            2759 VDC  
 Line to Line                2089VDC  
 Temperature Range        -25° to 85°C

### CIRCUIT DIAGRAM



### MECHANICAL DRAWING



### MECHANICAL DIMENSIONS

Current Rating	A	B	C	D	E	F	G	H	I
7A	195	215	255	95	65	30	4.5	M5	10
16A	275	285	300	95	65	35	5.4	M5	10
30A	300	315	330	110	70	40	5.4	M5	10
42A	300	315	330	110	70	40	5.4	M6	10
55A	280	300	315	105	85	75	5.4	M6	10
75A	320	335	350	150	90	75	6.5	M6	15
100A	320	335	350	170	100	80	6.5	M10	15
120A	320	335	350	170	100	80	6.0	M10	15
150A	320	335	350	170	100	80	6.0	M10	15