

Total solutions to EMI

EMIS

THREE PHASE, HIGH CURRENT TYPE: MF 423-3-3D BB

CSA/UL/NEMKO APPROVAL SHORTLY

- * 3 phase filter for drives/invertors
- * High performance
- * 300 - 1000 A Current Rating



PART NO.	CURRENT RATING A	TERMINATION
MF 423-3-3D-BB	300	BUS BAR
MF 423-3-3D-BB	400	BUS BAR
MF 423-3-3D-BB	600	BUS BAR
MF 423-3-3D-BB	800	BUS BAR
MF 423-3-3D-BB	1000	BUS BAR

SPECIFICATIONS

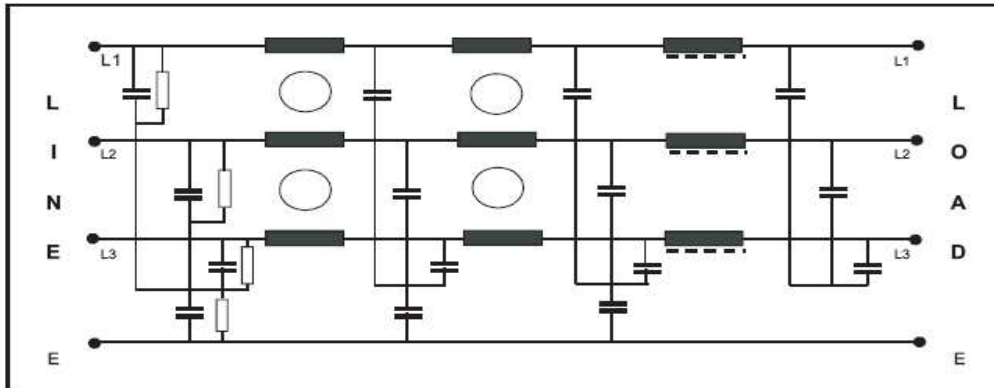
Voltage Rating	440V AC 50/60 Hz
Current Rating	300 to 1000 Amps
Current Overload	6x Rated current for 8 Seconds

High Potential Testing (1 minute)

Line to Ground	2759VDC
Line to Line	2089VDC
Temperature Range	-25° to 85°C

CIRCUIT DIAGRAM

MF 423-3-3D-BB



MECHANICAL DIMENSIONS

