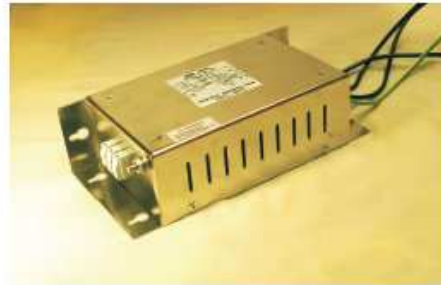


## THREE PHASE, FOOTPRINT DESIGN TYPE: MF 423-3-2D-FP

*CSA/UL/NEMKO APPROVAL SHORTLY*

- \* 3 phase filter for drives/invertors
- \* Delta Configuration
- \* Compact / Light weight
- \* Foot print design
- \* High performance
- \* 1-100A Current Rating



Part No.	Current Rating	Termination
MF 423-3-2D-FP	7A	Shock Proof Connector
MF 423-3-2D-FP	16A	-do-
MF 423-3-2D-FP	30A	-do-
MF 423-3-2D-FP	42A	-do-
MF 423-3-2D-FP	55A	-do-
MF 423-3-2D-FP	75A	-do-
MF 423-3-2D-FP	100A	-do-

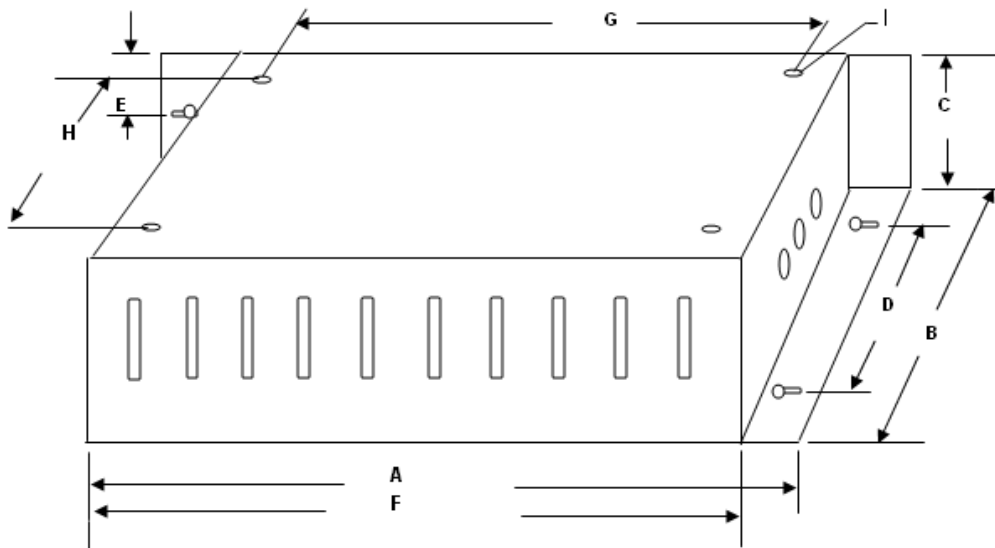
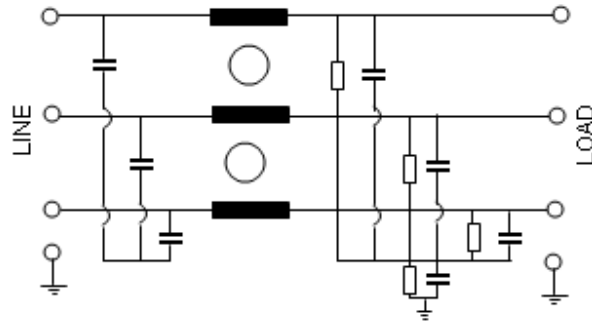
### SPECIFICATIONS

Voltage Rating	440VAC 50/60 Hz
Current Rating	7A, 16A, 30A, 42A, 55A, 75A, 100A
Current Overload	6x Rated current for 8 Seconds

### High Potential Testing (1 minute)

Line to Ground	2759 VDC
Line to Line	2089VDC
Temperature Range	-25° to 85°C

### CIRCUIT DIAGRAM



**MF 423-3-2D-FP (All dimensions are in mm)**

DIMENSIONS	7AMPS	16AMPS	30AMPS	42MPS	55AMPS	75AMPS	100AMPS
A	220	220	220	220	250	250	250
B	105	105	105	105	120	120	120
C	60	60	60	60	100	100	100
D	65	65	65	65	80	80	80
E	30	30	30	30	50	50	50
F	170	170	170	170	200	200	200
G	140	140	140	140	170	170	170
H	75	75	75	75	90	90	90
I	M4	M4	M4	M4	M5	M5	M5