

## THREE PHASE BOOKSHELF DESIGN : TYPE MF 423-3-2D-BS

CSA/UL/NEMKO APPROVAL SHORTLY

- 3 phase filter for drives/invertors
- Delta Configuration
- Compact / Light weight/Colst effective
- Bookshelf design
- High performance
- 1-150A Current Rating



Part No.	Current Rating	Termination
MF 423-3-2D-BS	7A	Shock Proof Connector
MF 423-3-2D-BS	16 A	-do-
MF 423-3-2D-BS	30 A	-do-
MF 423-3-2D-BS	42A	-do-
MF 423-3-2D-BS	55A	-do-
MF 423-3-2D-BS	75A	-do-
MF 423-3-2D-BS	100A	-do-
MF 423-3-2D-BS	120A	-do-
MF 423-3-2D-BS	150A	-do-

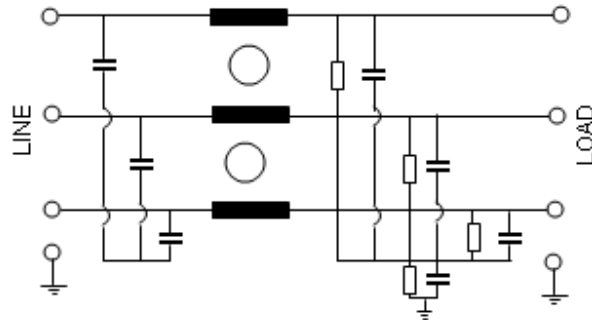
### SPECIFICATIONS

Voltage Rating	440 VAC 50/60 Hz
Current Rating	7A, 16A, 30A, 42A, 55A, 75A, 100A, 120A, 150A
Current Overload	6x Rated current for 8 Seconds

### High Potential Testing (1 minute)

Line to Ground	2759 VDC
Line to Line	2089VDC
Temperature Range	-25° to 85°C

## CIRCUIT DIAGRAM



## MECHANICAL DIMENSIONS

Current Rating	A	B	C	D	E	F	G	H	I
7A	160	180	190	70	40	20	4.5	M5	10
16A	220	235	250	85	45	25	5.4	M5	10
30A	240	255	270	85	50	30	5.4	M5	10
42A	280	295	310	85	50	30	5.4	M6	10
55A	220	235	250	90	85	60	5.4	M6	10
75A	240	255	250	135	80	60	6.5	M6	15
100A	240	255	270	150	90	65	6.5	M10	15
120A	281	311	250	188	90	47	6.0	M10	15
150A	281	311	250	188	90	47	6.0	M10	15

## MECHANICAL DRAWING

