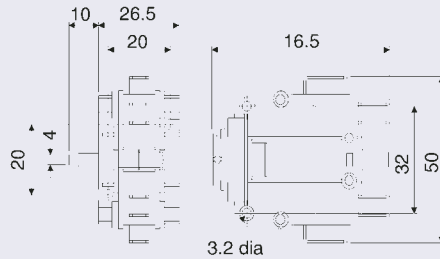
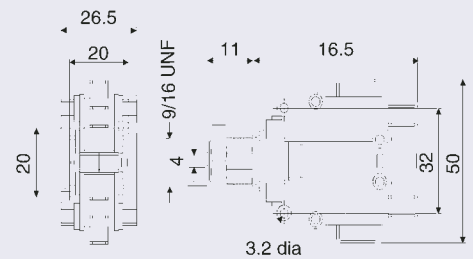


6871-0C / AC



6872-00 / A0 / H0



6872-0C / AC / HC

Benefits

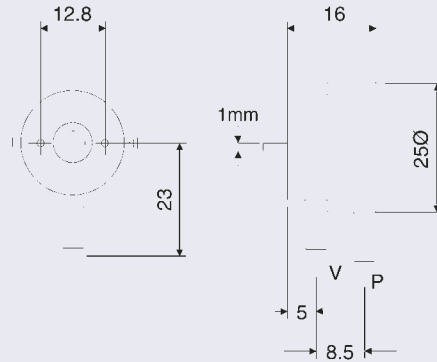
- ❖ UL approved compact and economical switches
- ❖ Ideal for OEM applications

- ❖ Base or side entry
- ❖ Choice of alternate and momentary actions available

Model No	6871-0C	6871-AC	6872-0C	6872-AC	6872-HC
Switch Details Number of Poles & Action	1 pole C/O momentary	1 pole C/O alternate	2 pole C/O momentary	2 pole C/O alternate	2 pole C/O 1 pole momentary 1 pole alternate
Air Connection	Back entry	Back entry	Back entry	Back entry	Back entry
Air Spout Diameter	4mm	4mm	4mm	4mm	4mm
Connecting Tube Part Numbers	2311-08/2311-01	2311-08/2311-01	2311-08/2311-01	2311-08/2311-01	2311-08/2311-01
Alternative Air Connection Model Number	Back entry 2mm spout 6871-0K side entry 4mm spout 6871-01	Back entry 2mm spout 6871-AK side entry 4mm spout 6871-AO	Back entry 2mm spout 6872-0K side entry 4mm spout 6872-00	Back entry 2mm spout 6872-AK side entry 4mm spout 6872-A0	Back entry 2mm spout 6872-HK side entry 4mm spout 6872-HO
Body Material	Acetal	Acetal	Acetal	Acetal	Acetal
Diaphragm Material	Silicone	Silicone	Silicone	Silicone	Silicone
Electrical rating @ 250V ac	16A Res 4A Ind 1/2 HP	16A Res 4A Ind 1/2 HP	21A (8A) 250V 2HP 250V ac 1HP 125V ac	21A (8A) 250V 2HP 250V ac 1HP 125V ac	21A (8A) 250V 2HP 250V ac 1HP 125V ac
Special Approvals Upon request	UL CSA	UL CSA	UL CSA	UL CSA	UL CSA

All European electrical switch approvals apply.

- ❖ 6872 Variants can be obtained with double diaphragm upon request.



Benefits

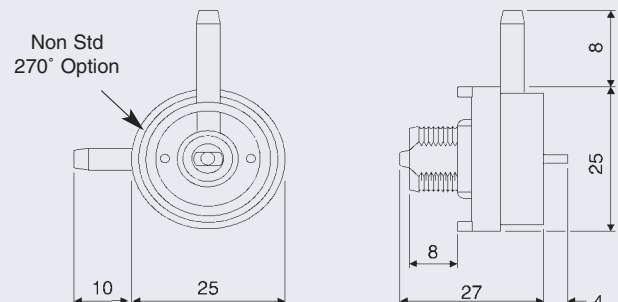
- ❖ A range of small switches designed for direct mounting onto printed circuit boards (UL versions available)
- ❖ Low pressure switching
- ❖ Various spout orientations available and double diaphragm

- ❖ Available with base or side tube entry
- ❖ Silver or gold contact options
- ❖ Switches can be factory set within specified tolerances

Printed Circuit Board Mounting Switches		6891 Standard	6893 (Sensitive)
Model No			
Pressure range	Minimum	15" WG	150mm (6 ins) WG
	Maximum	1.26 PSI	Higher Pressures refer to 6763/Vacuum 6761
Maximum Differential		Approximately 0.06 ins WG	Approximately 0.06 ins WG
Pressure - Standard Factory Setting		15, 25" WG	6, 10" WG
Body Withstand Pressure		2.04 Bar (30) PSI	2.04 Bar (30) PSI
Air Bleed Version		Available upon request	Available upon request
Flow Rate Litre / Min (with air bleed)		8 - 30cc/Min @ 31 ins WG	8 - 30cc/Min @ 31 ins WG
Pressure Connection		4mm Ø spout for side and back entry 2mm Ø spout for back entry only	4mm Ø spout for side and back entry 2mm Ø spout for back entry only
Connecting Tube Reference		Lower spout 'V' Vacuum 4mm spout = 2311-01 or 2311-08 2mm spout = 2311-03	Upper spout 'P' Pressure 4mm spout = 2311-01 or 2311-08 2mm spout = 2311-03
Temperature Range		-10°C to 85°C (flow solder 220°C for 5 Sec)	-10°C to 85°C (flow solder 220°C for 5 Sec)
Electrical Data			
Switch		Single pole normally open	Single pole normally open
Contact Rating Maximum		0.5A RES 250V ac	0.5A RES 250V ac
		(Maximum ratings may not be achieved at low pressure settings)	
Contact Rating Minimum		10mA 24V dc	10mA 24V dc
Body		Glass filled polyester	Glass filled polyester
Diaphragm		Silicone as standard	Silicone as standard
Contacts		Silver or gold plated copper pins	Silver or gold plated copper pins
Mechanical Life		1 x 10 ⁶ cycles	1 x 10 ⁶ cycles
Weight (grams)		8 grms	8 grms

Switch Range

A miniature, compact low pressure switch designed for direct fitting by solder pins to printed circuit boards. Both vacuum and pressure ports are provided making the unit ideal for differential switching. Typical applications are indicators, emergency cut-out and alarms, filter and low pressure/vacuum monitoring. The switch is made to order for specific applications, the actual operating pressures or vacuum being set during production. However, finite adjustment may be made after installation by the slotted screw in the base. The body construction allows the two ports to be set at any angle to each other.



❖ For Pressure or Vacuum versions see also 6763/6761 in Pressure and Vacuum Catalogue