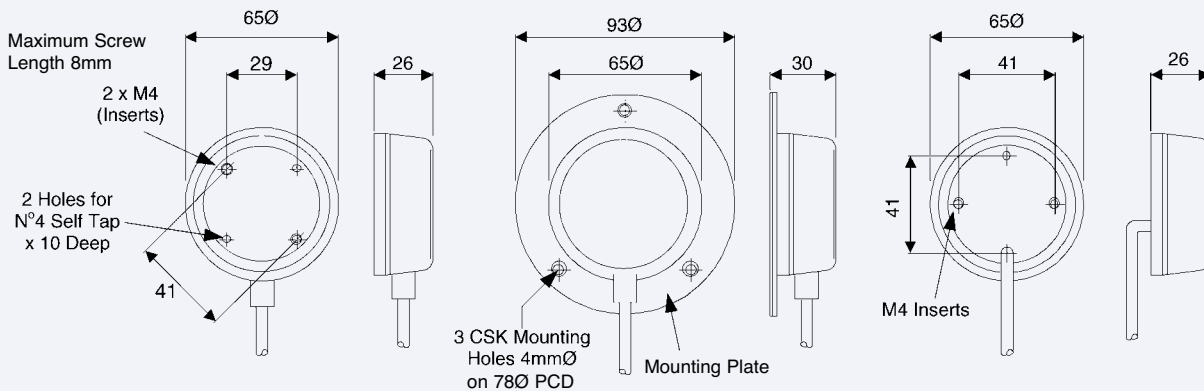




Benefits

- ❖ Ideal for hand or foot operation
- ❖ Tough flexible PVC cover
- ❖ Large air volume for ease of operation
- ❖ Choice of colours
- ❖ Available with plastic base plate for added stability or permanent fixing
- ❖ Anti slip rubber or foam base plates available
- ❖ Side or base entry tube outlet
- ❖ Built in temperature compensation for use with the longest tube length



643 [] - [] [] [] [] - 0000

1. Model Number

- 1 Matt Finish, Soft PVC Bellows, Side Entry Tube
- 9 Matt Finish, Soft PVC Bellows, Back Entry Tube

2. Bellows Colour

- | | |
|---------|---------|
| A Black | B Grey |
| C White | D Red |
| E Brown | F Green |

3. Tube Type

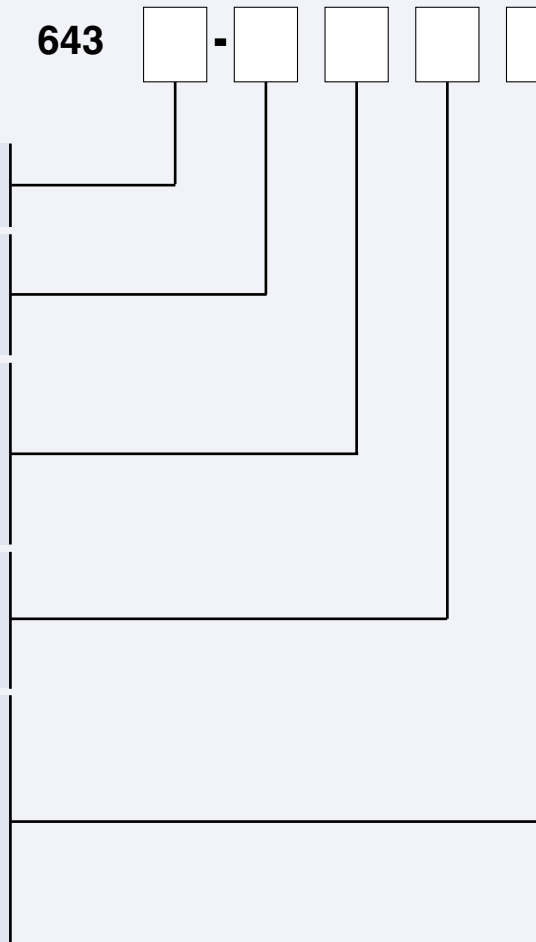
- A Black PVC Tubing with 3mm I/D & 6mm O/D
- B Clear PVC Tubing with 3mm I/D & 6mm O/D
- C Black PU Tube with 1.5mm I/D & 3mm O/D
- D Black PU Curly Coil 300mm Unstretched & 2M Stretched Length 1.5mm I/D & 3mm O/D (please select option 4G below)
- Z No Tube Required

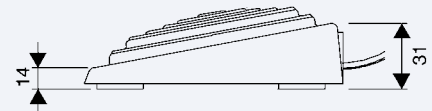
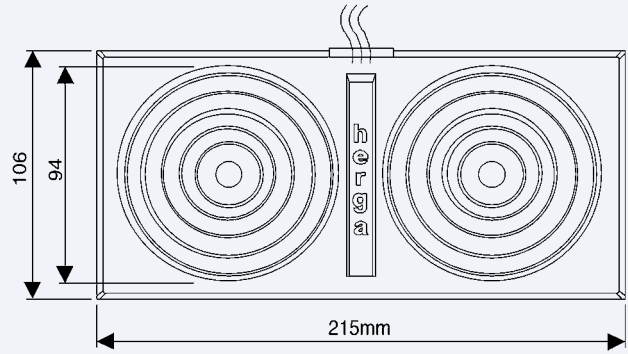
4. Tube Length

- | | |
|-------------------|--------------------|
| A 1.5 Metres | B 2 Metres |
| C 3 Metres | D 4 Metres |
| E 5 Metres | F 6 Metres |
| G Curly Coil Tube | Z No Tube Required |

5. Mounting Option

- C No mounting plate but with M4 inserts fitted as standard.
- D Grey Plastic Plate fitted with Mounting Holes
- E Grey Plastic Plate fitted without Mounting Holes
- F Black Plastic Plate fitted with Mounting Holes
- G Black Plastic Plate fitted without Mounting Holes
- H Chrome Plated Plate with Mounting Holes
- J Chrome Plated Plate without Mounting Holes
- Z No Mounting Plate required

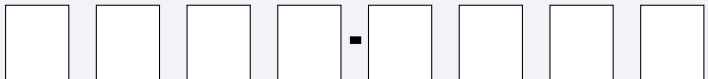




Benefits

- ❖ Ideal for dirty environments
- ❖ Angled for ease of use
- ❖ Variety of colour options for OEM applications
- ❖ Lightweight or heavyweight versions
- ❖ Customised labels available upon request

6447 -



1. Model Number

2. Top/Cover Option

- | | |
|---------|---------|
| A Grey | B Black |
| C White | D Ivory |

3. Divider & Colour

- A Grey with herga Logo
- B Grey without herga Logo (Plain Surface)
- C Black with herga Logo
- D Black without herga Logo (Plain Surface)
- E White with herga Logo
- F White without herga Logo (Plain Surface)
- G Bone with herga Logo
- H Bone without herga Logo (Plain Surface)

4. Left Hand Bellows Colour

- | | |
|-------------|---------|
| A Black | B Grey |
| C White | D Red |
| E Brown/Tan | F Green |

5. Right Hand Bellows Colour

- | | |
|-------------|---------|
| A Black | B Grey |
| C White | D Red |
| E Brown/Tan | F Green |

6. Weight

- | | |
|----------------------|-------------------|
| A Lightweight (300g) | B Weighted (600g) |
|----------------------|-------------------|

7. Tube Type

- A Grey Polyurethane Tubing with Straight Twin Bore 1.5mm Bore
- B Grey Polyurethane Curly Coil Tubing - Unstretched Length 0.9 Metres Extended Length 2.4 Metres, 1.5mm Bore (please select option 8G below)

8. Tube Length

- | | |
|--------------|-------------|
| A 2 Metres | B 3 Metres |
| C 4 Metres | D 5 Metres |
| E 6 Metres | F 10 Metres |
| G Curly Coil | |

9. Tube Identification

- A Green Label in Heatshrink identifying left hand bellows at the end of the tubing
- Z No Identification Provided

