

**Benefits**

- ❖ Choice of colours
- ❖ Our smallest push button bellows

- ❖ Choice of bellows and finish
- ❖ Rear bracket available upon request

6434 -    0

**1. Model Number**

**2. Button Finish Options**

- |              |                      |
|--------------|----------------------|
| A White      | B Brilliant White    |
| C Chrome     | D Gold               |
| E Bone/Ivory | F Grey               |
| G Black      | Z No Button Required |

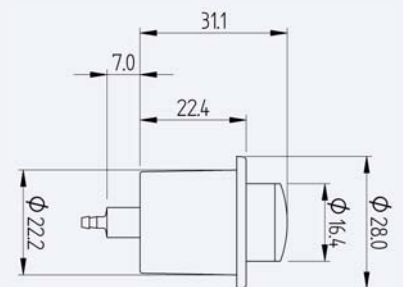
**3. Escutcheon Finish Option**

- |              |                          |
|--------------|--------------------------|
| A White      | B Brilliant White        |
| C Chrome     | D Gold                   |
| E Bone/Ivory | F Grey                   |
| G Black      | Z No Escutcheon Required |

**4. Packaging & Label Option**

- |   |
|---|
| A Poly Bag (1 Off)                                    |
| B Poly Bag (50 Off)                                   |
| C Vac Form Tray (50 Off - Ideal for OEM applications) |

Ask our sales team about the new raised button option.

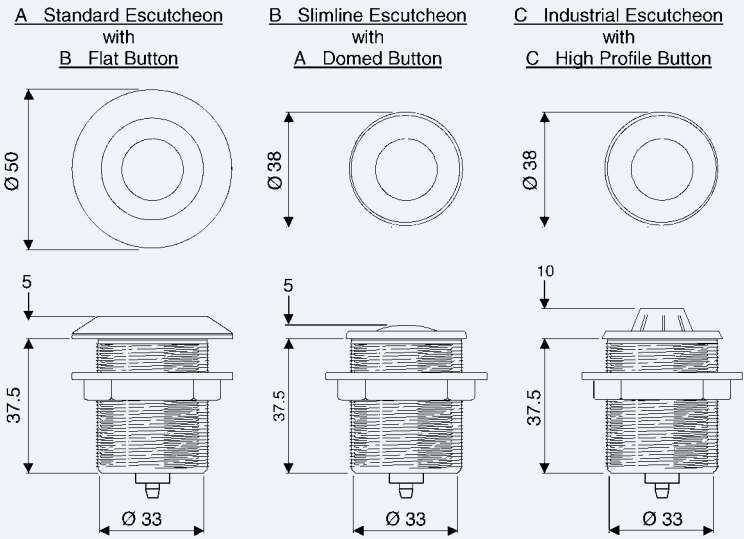


Mounting	Push Fit	Mounting	Push Fit
Air Connection Dia	2.5mm	Panel Thickness	0.5 to 15.0mm
Connecting Tube Part N <sup>o</sup> .	2311-03	Cut Out	23.0mm Dia
Projection Front	3.7mm	Body Material	Acetal
Projection Rear	13mm	Bellows Material	Silicone



**Benefits**

- ❖ Compact size
- ❖ Choice of colours and styles
- ❖ Low profile above surface



Panel Hole Not To Exceed Ø 35.0 On all Versions

6438 - [ ] [ ] [ ] [ ] - [ ] [ ] [ ] [ ] [ ]

**1. Model Number**

**2. Escutcheon Type**

- |              |                          |
|--------------|--------------------------|
| A Standard   | B Slimline               |
| C Industrial | Z No Escutcheon Required |

**3. Escutcheon Finish**

- |                 |                   |
|-----------------|-------------------|
| A White         | B Brilliant White |
| C Chrome        | D Gold            |
| E Bone/Ivory    | F Black           |
| Z None Supplied |                   |

**4. Button Type**

- |                |                      |
|----------------|----------------------|
| A Domed        | B Flat               |
| C High Profile | Z No Button Required |

**5. Button Finish**

- |                 |                   |
|-----------------|-------------------|
| A White         | B Brilliant White |
| C Chrome        | D Gold            |
| E Bone/Ivory    | F Black           |
| G Red           | H Green           |
| Z None Supplied |                   |

**6. Bellows Type & Spout Diameter**

- |                                   |                                   |
|-----------------------------------|-----------------------------------|
| A 4mm Dia. Spout, Silicon Bellows | B 2mm Dia. Spout, Silicon Bellows |
| C 4mm Dia. Spout, PVC Bellows     | D 2mm Dia. Spout, PVC Bellows     |

**7. Nut/Washer Option**

- |                           |
|---------------------------|
| A Nut Supplied 1" BSP     |
| B Nut and Washer Supplied |
| Z None Required           |

A wide choice of medium size snap action bellows which fit in between the larger 6442 and the smaller 6434. The body is moulded in ABS and the bellows inside is of Silicone or PVC.

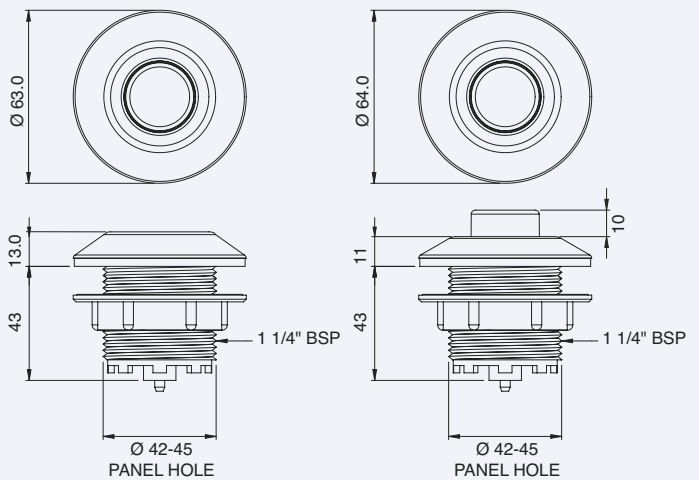
When used as part of the hergair switching system, the connecting air tubes to link the bellows to the airswitches are either 2311-03 (2mm spout) or 2311-08 (4mm spout).

A longer threaded body version to suit up to 50mm panels is available upon request.



STAINLESS & CHROME PLATED BRASS OPTIONS

PLASTIC VARIANTS



**Benefits**

- ❖ Choice of colours
- ❖ Extensive range of finishes
- ❖ Choice of tube options

- ❖ Choice of air connections
- ❖ Selection of styles including plastic, brass or stainless
- ❖ Large air volume for longer tube lengths

6442 -         -   0 0 0

**1. Model Number**

**2. Button Type - please see note below**

- D Flush Round Button
- E Raised Round Button (10mm High)
- Z No Button Required

**3. Button Finish - please see note below**

- |                   |                       |
|-------------------|-----------------------|
| A White           | B Brilliant White     |
| C Chrome          | D Gold                |
| E Bone/Ivory      | F Black               |
| G Red             | H Green               |
| M Grey Plate      | N Chrome Plated Brass |
| P Stainless Steel | Z None Supplied       |

**4. Escutcheon Finish - please see note below**

- |                   |                       |
|-------------------|-----------------------|
| A White           | B Brilliant White     |
| C Chrome          | D Gold                |
| E Bone/Ivory      | F Black               |
| G Red             | H Green               |
| M Grey Plate      | N Chrome Plated Brass |
| P Stainless Steel | Z None Supplied       |

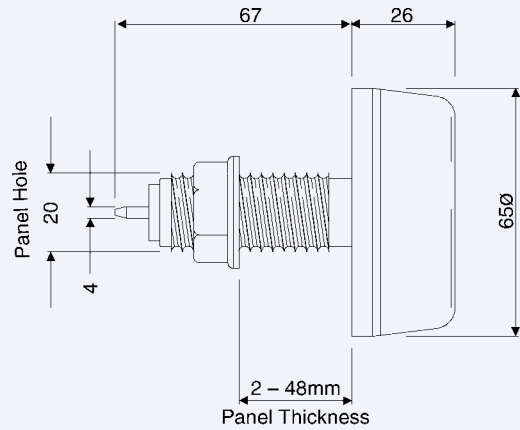
**5. PVC Bellows Option**

- A Bellows - 4mm Spout to suit 2311-01/08 Tube
- B Bellows - 2mm Spout to suit 2311-03 Tube
- Z No Bellows Required

**6. Nut and Washer Option**

- A Supplied with Nut and Washer
- B Supplied with a Nut Only
- Z No Nut or Washer Required

**Note:** Finish option 'P' stainless steel can only be supplied as a flush button.  
 For vandal resistant version order 6443-0001  
 Similar to 6442-DPPA -A000 (stainless)



- Benefits**
- ❖ Economical rugged bellow designed for panel mounting
  - ❖ Other colours available, upon request, for volume applications

- ❖ Ideal for outdoor use
- ❖ Easily cleaned
- ❖ Operates most herga airswitches

6433 - Z    0 0

1. Model Number

2. Bellows Colour

- A Black
- B Grey
- C White
- D Red
- E Brown/Tan
- F Green

<b>Mounting</b>	Through panel with integral thread and nut	<b>Panel Thickness</b>	2.0mm to 48.0mm
<b>Air Connection</b>	4mm	<b>Bellows Material</b>	Flexible PVC
<b>Tube Reference</b>	2311-01 or 2311-08		

Ask our sales team about the short threaded option. Better suited for mounting in thin panels.

