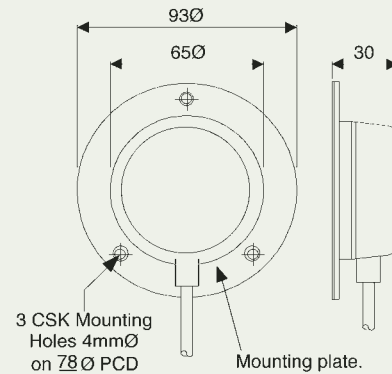
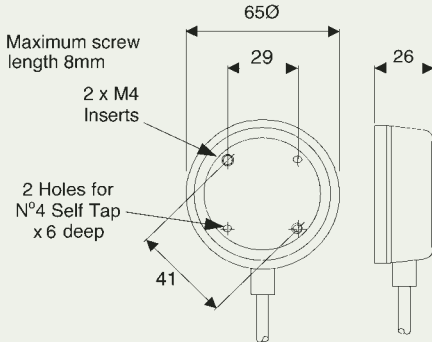


Benefits

- ❖ Ideal for hand or foot operation
- ❖ Tough flexible PVC cover
- ❖ IP67 double insulated (IP68 upon request)
- ❖ Choice of colours (others upon request)
- ❖ Available with aluminium and Plastic base plates for added stability or permanent fixing with anti-slip rubber or foam pads
- ❖ Change over contact variants available
- ❖ Cordsets can be supplied with plugs/sockets etc



6240 - -

1. Model Number

2. Colour Option

- | | |
|-------------|---------|
| A Black | B Grey |
| C White | D Red |
| E Brown/Tan | F Green |

3. Mounting Options

- C No Mounting Plate but with M4 Inserts Fitted as standard
- D Grey Plastic Plate fitted with Mounting Holes
- E Grey Plastic Plate fitted without Mounting Holes
- F Black Plastic Plate fitted with Mounting Holes
- G Black Plastic Plate fitted without Mounting Holes
- H Chrome Plated Plate with Mounting Holes
- J Chrome Plated Plate without Mounting Holes
- Z No Mounting Plate or Inserts supplied

4. Contact Configuration

- A Single Pole Normally Open
- B Single Pole Normally Closed
- C Change Over Contacts (3 Core Minimum)

5. Cable Length

- | | |
|-----------------|------------------|
| A 2 Metres Long | B 3 Metres Long |
| C 5 Metres Long | D 10 Metres Long |

6. IP40 Cordset Electrical Rating

- A 3A 24V ac/dc Silver Contact, 2 Core 0.75mm² Colour Black PVC
- C 0.1A 24V ac/dc Gold Contact, 2 Core 0.75mm² Colour Black PVC
- D 3A 24V ac/dc Silver Contact, 3 Core 0.5mm² Colour Black PVC
- F 0.1A 24V ac/dc Gold Contact, 3 Core Colour Black PVC
- Z No Option Chosen

7. IPX7 Cordset Electrical Rating

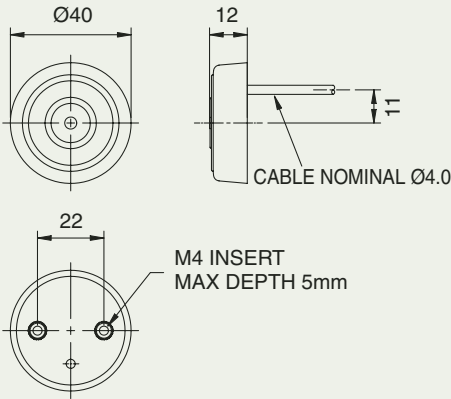
- A 3A 24V ac/dc Silver Contact, 2 Core 0.75mm² Colour Black PVC
- C 0.1A 24V ac/dc Gold Contact, 2 Core 0.75mm² Colour Black PVC
- D 3A 24V ac/dc Silver Contact, 3 Core 0.5mm² Colour Black PVC
- F 0.1A 24V ac/dc Gold Contact, 3 Core Colour Black PVC
- Z No Option Chosen

- ❖ 250 Volt versions available upon request
- ❖ Non mounting hole versions supplied with foam pad.



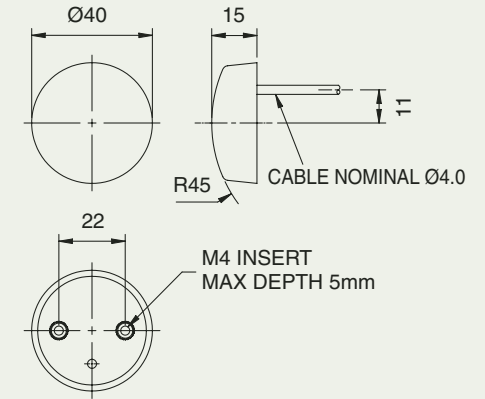
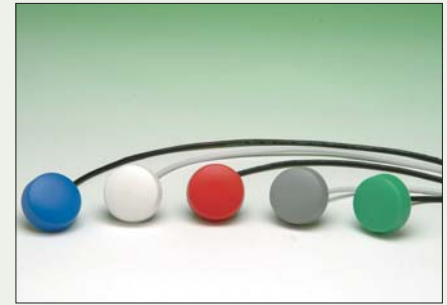
Benefits

- ❖ Waterproof to IP67
- ❖ Lightweight operation over the entire top surface
- ❖ Designed to withstand heavy loads



Low profile tactile switch	
Single Pole Normally Open contact	
0°C to +60°C	
Base	Black Rigid PVC
Bellows	Black or Grey Flexible PVC

Other colours available on request.
Standards UL 60601-1, File No. E 207181, IEC 60601-1



6241 - [] [] [] [] [] [] [] [] Z

1. Model Number	[]
2. Bellows Type	[]
A Flat	B Domed
3. Bellows Colour	[]
A Black	B Grey
C White	D Brown/Tan
E Green	F Red
G Yellow	H Blue
4. Fixing Option	[]
A Back Entry Base Fitted with M4 Inserts	B Back Entry Base, no Inserts Fitted
5. Switching Action & Rating	[]
A Single Pole Normally Open Contact 50mA 12VDC	B Single Pole Normally Open Contact 30mA 24VDC
6. Approvals	[]
B UL 60601-1 and IEC 60601-1	E IEC 60601-1
U UL 60601-1	
7. Cordset	[]
A 2 Core Black, 24AWG Rating 1.75A 24V	B 2 Core Grey, 24AWG Rating 1.75A 24V
Z No Option Chosen	
8. Cable Length	[]
A 2 Metres	B 3 Metres
C 5 Metres	D 10 Metres
Z No Option Chosen	
8. Cable Length	[]
Z No Option Chosen	