

Benefits

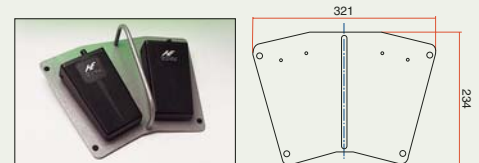
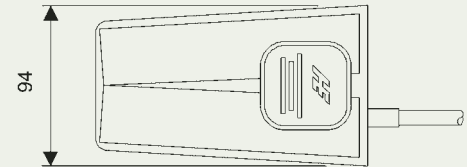
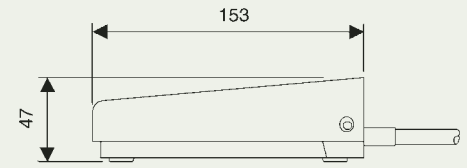
- ❖ Economic moulded plastic construction
- ❖ Versatile plastic switch designed to reduce operator fatigue
- ❖ Ideal for repetitive use for office equipment, domestic/medical appliances and general industrial applications
- ❖ Sealed to IPX2 (IPX8 upon request)

- ❖ Non electrical versions available, please refer to Airswitching section
- ❖ Guard available
- ❖ Customer colours and logos available. OEM quantities only
- ❖ Unlimited cordset options available

Model No	6210-ST	6210-SC	6210-W0	6210-CC	6210-DT	6210-DO
Weight Aprox	350grms	375grms	375grms	375grms	355grms	375grms
Material (Black Std)	Glass filled nylon	Glass filled nylon	Glass filled nylon	Glass filled nylon	Glass filled nylon	Glass filled nylon
Body (Black Std)	Glass filled nylon	Glass filled nylon	Glass filled nylon	Glass filled nylon	Glass filled nylon	Glass filled nylon
Optional Black Guard	Stove enamelled	Stove enamelled	Stove enamelled	Stove enamelled	Stove enamelled	Stove enamelled
Number of Poles	Single pole	Single pole	Single pole	Single pole	Double pole	Double pole
Contact Configuration	Normally open	Normally open	Normally open	Change over	Normally open	Change over
Cable	Terminal block	2 core PVC	2 core PVC	4 core PVC	Terminal block	5 core PVC
Length (as Std)	N/A	2 metres	2 metres	2 Metres	N/A	2 Metres
Conductor	N/A	0.75mm ²	0.75mm ²	0.5mm ²	N/A	0.5mm ²
Cable O/D	N/A	6.8mmØ (NOM)	6.8mmØ (NOM)	6.8mmØ (NOM)	N/A	6.8mmØ (NOM)
Current Rating	6 Amp 250V Ac	6 Amp 250V Ac	6 Amp 250V Ac	3 Amp 250V Ac	6 Amp 250V Ac	3 Amp 250V Ac
Enclosure Rating	IPX2	IPX2	IPX7	IPX2	IPX2	IPX2
Approvals	EN 61058-2-1, EN 61058 and EN 60950					

- ❖ Cordset variations of each standard option are available (up to IPX8 upon request).

Note: Models 6210-CC and 6210-DO contain an unconnected earth wire.



Benefits

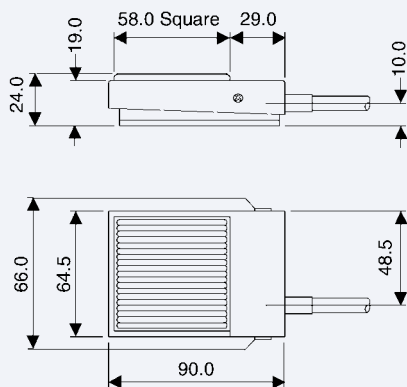
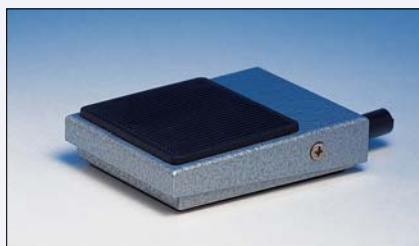
- ❖ Made of die cast aluminium it's toughness and modest cost make it ideal for OEM applications
- ❖ Ideal for remote switching in harsh environmental conditions where durability is required
- ❖ Low profile designed to reduce operator fatigue

- ❖ Non electrical version available, please refer to Airswitching section
- ❖ Optional stove enamelled mild steel guard
- ❖ Sealed to IPX2 (IPX8 upon request)
- ❖ Customer colours and logos available. OEM quantities only

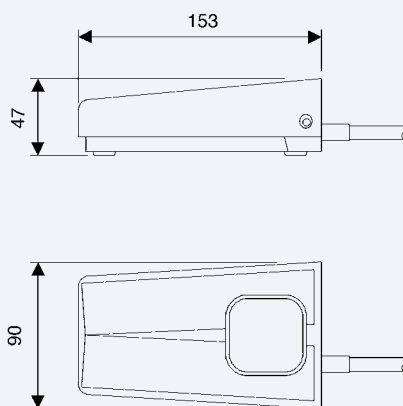
Model No	6254-CT	6254-CC	6254-D0	6254-DA	6254-W0
Weight	457g	475g	475g	525g	625g
Black Body/Base	Die-cast aluminium	Die-cast aluminium	Die-cast aluminium	Die-cast aluminium	Die-cast aluminium
Optional Black Guard	Stove enamelled mild steel	Stove enamelled mild steel	Stove enamelled mild steel	Stove enamelled mild steel	Stove enamelled mild steel
No. of Poles	Single pole	Single pole	Double pole operating together	Double pole Two stage action	Single pole
Contact Configuration	Change over	Change over	Normally open	Normally open	Normally open
Cable	Terminal block	PVC 4 core	Terminal block	Terminal block	PVC 4 core
Length as Std	N/A	2 metres	N/A	N/A	2 metres
Conductor	N/A	0.75mm ²	N/A	N/A	0.75mm ²
Cable O/D	N/A	7.5mmØ (NOM)	N/A	N/A	6.8mmØ (NOM)
Current Rating	6 Amp 250V Ac 3 Amp 1/2 HP	6 Amp 250V Ac 3 Amp 1/2 HP	6 Amp 250V Ac 3 Amp 1/2 HP	6 Amp 250V Ac 3 Amp 1/2 HP	6 Amp 250V Ac (1.5A IND)
Enclosure Rating	IPX2	IPX2	IPX2	IPX2	IPX7
Approvals	EN 61058-2-1, EN 61058 and EN 60950				

❖ Cordset variations of each standard option are available (up to IPX8 upon request). (6254 - DO and DA versions can be cordset built).

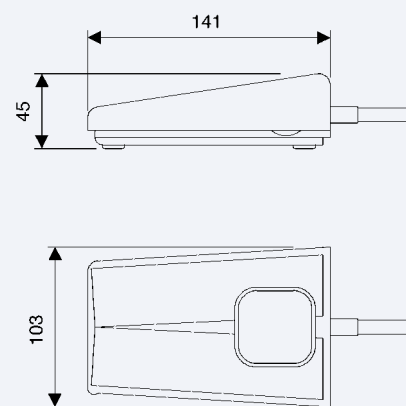
6289-0B



6254-0B



6210-0B



Benefits

- ❖ 6289 Colour options available upon request
- ❖ 6254 Strong conduit tubing
- ❖ 6210 Light, easy operation

- ❖ 6289 Compact, robust switching
- ❖ 6254 Aluminium construction for harsh environments
- ❖ 6210 Tough reinforced plastic

Model Number	6289-0B	6254-0B	6210-0B
Weight	248g	475g	200g
Guard Option	Available in 2 sizes upon request	Available in 1 size upon request	Available in 1 size upon request
Air Connection	Complete with 2m x 3mm bore tubing	Complete with 2m x 3mm bore tube with armour flex covering	Complete with 2m x 3mm PVC bore tubing
Alternative Air Connections	See note below	See note below	See note below
Body/Base Material	Painted 16 SWG mild steel	Diecast aluminium	Black glass filled nylon
Tread	Polypropylene	As cast	Black glass filled nylon
Bellows Material	Flexible PVC	Flexible PVC	Flexible PVC

Note: Each of the above product types can be purchased without tube fitted. These versions have an integral 4mm spout connector with restraining cap ideally suited for tubing 3mm bore 6mmØ (black PVC, part number 2311-08 and clear PVC, part number 2311-01) which can be purchased separately, at your required length. For guidance, please refer to tube length chart at the front of this catalogue.

for these product types please order / refer to product numbers 6289-0124, 6254-0031 and 6210-0033.

These versions are ideal for OEM customers unsure of required tube lengths and also for applications where replacement tubes are required, due to damage. (See accessories pages in rear of this section for tubing)

6289-0B

This small, compact, painted mild steel (standard grey hammertone) foot control complete with 2 metres of black PVC tube 3mm bore 6mm O/D as standard can also be supplied with 2 types of safety guard to prevent accidental operation. Special logo's and colours can be provided upon request. A conduit tube version can be obtained upon request with length to suit your needs.

6254-0B

This foot control uses a substantial die-cast aluminium housing and is suitable for use in rough conditions. A safety guard can be provided to prevent accidental operation. The standard version is supplied with 2 metres of black PVC coated flexible steel conduit 10mm O/D containing a 3mm bore PVC tube, different lengths are available upon request.

6210-0B

This foot control uses a tough reinforced plastic housing for extra protection. The light operating force does not tire the operator who may be either seated or standing. A safety guard can be provided to prevent accidental operation. Special logo's and colours can be provided on quantity orders. Supplied with 2 metres of black PVC Tube 3mm bore 6mm O/D. A conduit tube version can be obtained upon request with length to suit your needs.

6210 –XXXX



Dati tecnici

- Pedale in plastica nera o grigia
- Disponibile nella versione a 1 o 2 contatti, N/O o in scambio, con cavo o con morsettiera, con connettore USB
- Grado di protezione IPX2 e a richiesta IPX8
- Eventuale coperchio di protezione
- Personalizzabile con logo aziendale
- A norma EN61058-2-1, EN61058 e EN60950

